



# Installation manual

Cabinaid Pro



## Parts list

Your Cabinaid Pro box contains:

- Installation manual
- Cabinaid cup (storage compartment)
  - Including, magnet sensor and fixed LED lighting
- Cabinaid climate control unit Pro
- Cabinaid lid
- Cabinaid AED hanging bracket
- Cabinaid lock bracket (If ordered)
- Cabinaid divider plates (If ordered)
- Rubber tulle
- 12V power adapter
- Fastening materials, see below



Grip bag with 3x Wall screw & 3x Wall plug



4x or 6x Hexagon cap screw

(Depending on what version has been ordered, 2x used for the climate control unit, 2x used for the AED bracket and 2x for the Cabinaid lock bracket (optional))



1x P-clip with one small tapping screw, to attach the lid to the cup

## Determining the location of the AED cabinet

Carefully determine where you want to hang your Cabinaid AED cabinet. First make sure that the desired location is suitable for the installation of the cabinet. It may be helpful to consult the fire and safety regulations to find the most suitable location. It is best to hang the top of the cup at a height of about 170 cm. To easily be within reach for most people. If a brick wall is used as the mounting location, check that the wall anchors have been used before mounting the cabinet.

In addition, it is best to hang the Cabinaid AED cabinet out of direct sunlight and weather influences when possible. Although the AED cabinet is climate proof, it is the best way to keep the conditions for the AED inside the cabinet as stable as possible.

## Installation of the Cabinaid Pro AED cabinet

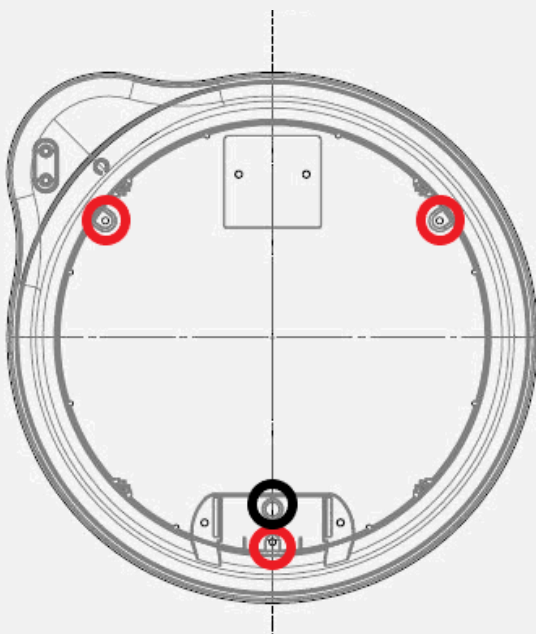
Step 1: Remove the Cabinaid from the packaging and remove the lid from the cup. You can do this by pulling the red handle and applying pressure to the ear.

Step 2: Remove the climate control unit from the bottom of the Cabinaid Pro and put it aside for now. The climate control unit is not fastened or connected yet.

You should now have an empty cup with only the hanging bracket to install to a wall.

Step 3: Place your Cabinaid AED cabinet in the correct position against the wall. Use a marker to indicate the location of the 3 boreholes. Please use the image below as reference for the locations of the holes and the correct orientation.

The red marked holes are for wall screws and black circle is location of the hole for the power supply cable.



Step 4: After marking the holes put the Cabinaid storage compartment aside and use a drill to make the holes in the wall.

For the red Mark holes:  
Use a 6MM drill bit

For the black marked Power supply hole:  
use a 14 MM drill bit

If applicable, place the wall plugs in the drilled screw holes.

Step 5: After drilling the holes, run the power supply cable through the wall. Make sure the cable length can be adjusted by gently pulling the cable. For installation to the climate control unit about 10cm of cable should be outside. Please use the image on the left as a reference.

Step 6: Place the back of the Cabinaid cup against the wall and align the cabinet with the previously drilled holes. Put the power supply lead through the designated hole in the back of the Cabinaid. Now you can mount the Cabinaid AED cabinet firmly to the wall using the wall screws delivered with the Cabinaid.

Once installed and mounted to the wall. The Cabinaid Pro cup should look like the image on the right.



Step 7: Take out the rubber tulle delivered with the Cabinaid and put the cable through. The end result should look like the image on the right.

**NOTE:** Do not plug in the adapter until finishing the complete installation manual.



## Installation of the climate control unit

After mounting your Cabinaid Pro cabinet to the wall and running the power lead into the main compartment. You can follow the following steps to install the climate control unit.

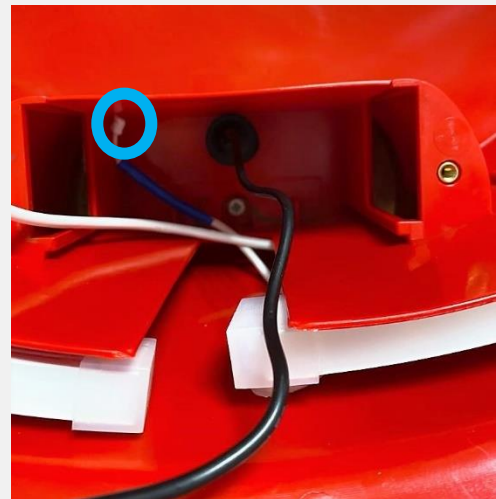
**WARNING:** The power supply should not be connected to the power at this stage!

The connections should be made close to the Cabinaid AED cabinet on the wall as the cables don't have many spare lengths.

Step 1: Take the climate control unit and stand in front of the AED cabinet. Carefully connect the LED light, magnet sensor and power supply to the correct part on the circuit board. First indicate the cables:

The connections are highlighted in the images below:

1. Black: Power Supply cable
2. BLUE: Magnet sensor
3. WHITE: LED light



Step 2: Connect the cables to the circuit board:

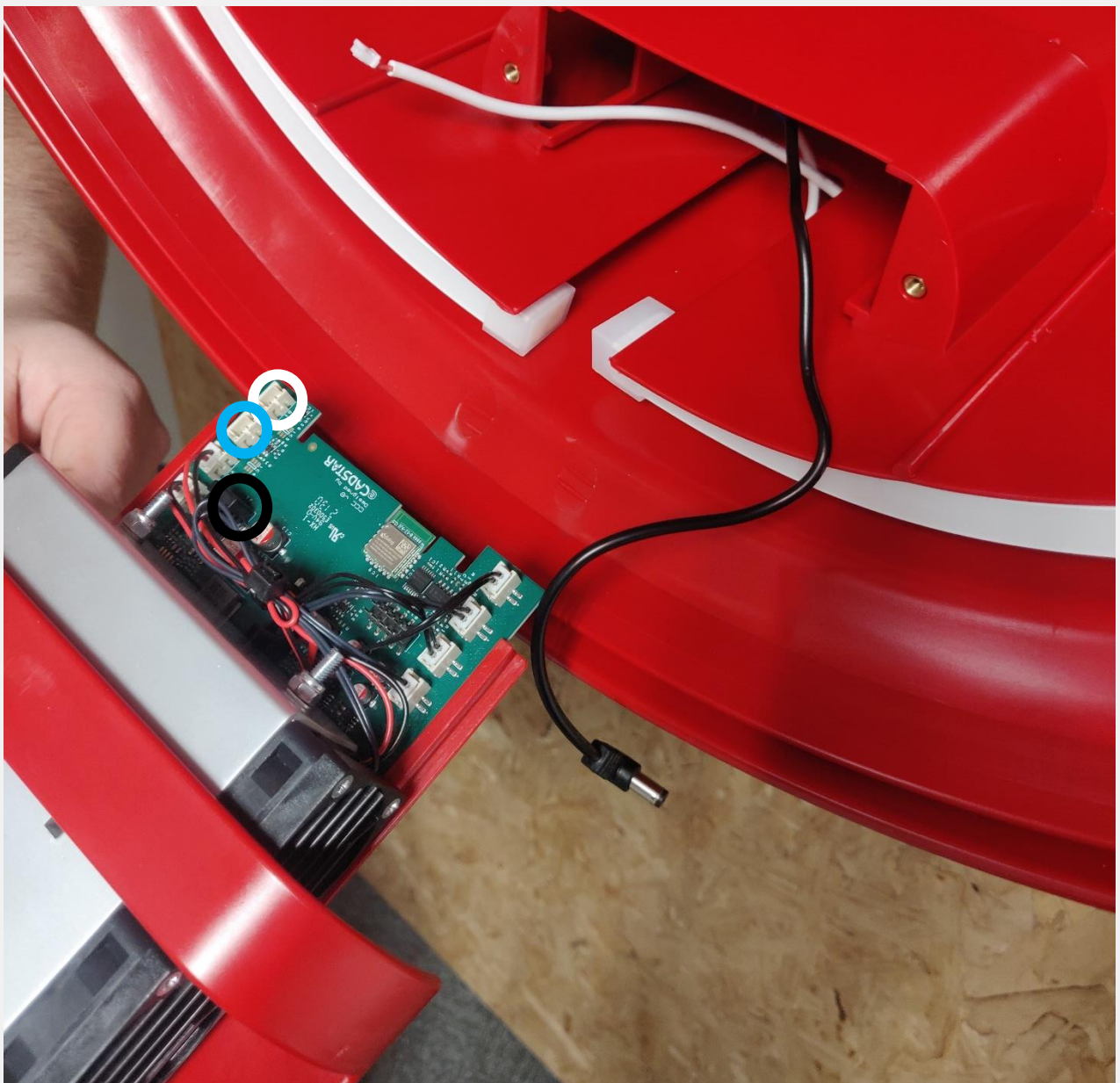
Firstly attach the blue marked cable to the blue highlighted position as seen on the image below.

Secondly attach the white cable to the white highlighted position as seen on the left image.

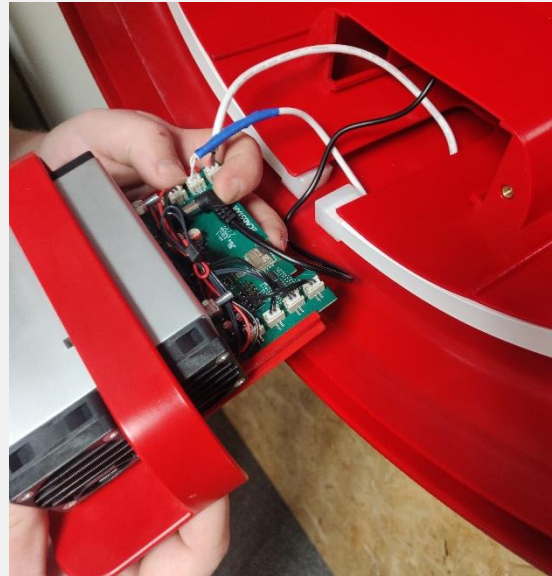
The white cable is connected to the connector the most on the back of the board.

The blue cable is connected to the connector in front of the white cable.

As third attach the black power cable to the black highlighted position as seen on the image below. This is next to where the other cables are connected.



If you have attached everything correctly the connections should look like the image on the left side.



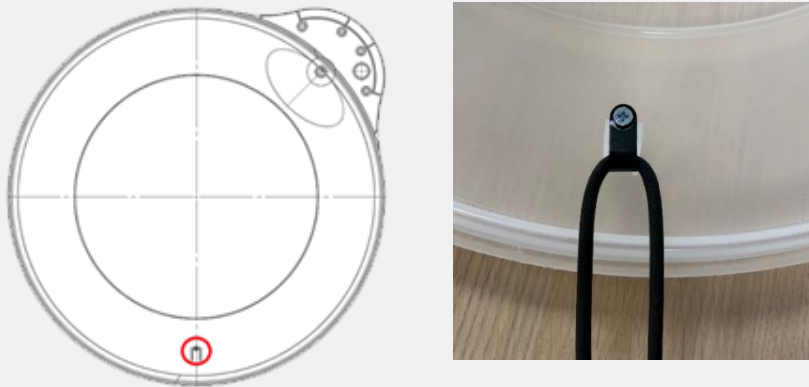
Step 2: Check that the power lead is no longer than +/- 10 cm removed from the Rubber tulle relieve. Use your feeling to make sure that the power lead does not roll-up in the compartment. You can gently pull on the power lead on the inside of the wall until satisfied. See the second image on the right for a reference.

Step 3: Fasten the Climate control set by using 2 hexagon cap screws like on the image below.



Step 4: Use the P-clip and the small cross head screw to attach the elastic band leading from the climate control unit to the Cabinaid lid. Please use the image below to see the allocated point where the screw needs to be placed. The right side picture shows how it should look when the elastic band is attached to the lid.

Please be aware that the elastic band is not tangled before attachment.



Step 5: Keep the lid of the cup and plug the adapter into a wall socket to start powering the Cabinaid Pro. If all steps were followed correctly the Cabinaid should give an Audible alarm and the LED lighting should be flashing.

Step 6: Close the Cabinaid by placing the lid onto the Cabinaid cup. Push firmly around the edge, you should hear several audible clicks when the Cabinaid lid has sealed off the cup compartment. The audible alarm should stop and the LED lighting should stop flashing and burn continuously.

When closed the Cabinaid Pro AED cabinet should look like the picture on the right.

As a final check; check if the seal is closed all around the cup by applying pressure all-around the edge of the lid.





## Installation of the AED hanging bracket

The AED hanging bracket is supplied as standard in your Cabinaid AED Cabinet. The following instruction will help you optimally install the hanging bracket.

Step 1: Open the Cabinaid AED cabinet by pulling the handle and removing the lid from the storage compartment. The hanging bracket is already attached to the indicated location using 2x hexagon cap screws. See the images below for your reference.



Step 3: By loosening and tightening the hexagon cap screws the bracket can be moved up and down. You can use this to adjust the hanging bracket to the desired height.

## Installation of the optional lock bracket

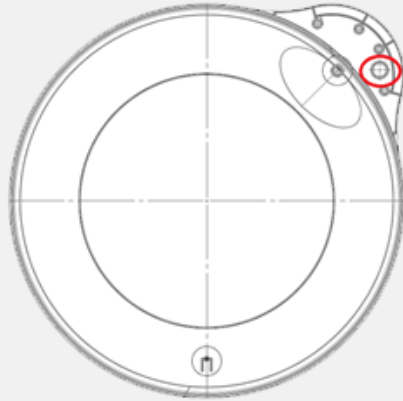
If you purchased the optional lock bracket with your Cabinaid AED cabinet it is probably already installed. If not, please follow the following instruction for installation.

Step 1: Open the Cabinaid AED cabinet by pulling the handle and remove the lid from the storage compartment.

Step 2: Take the lock bracket and attach it to the allocated location using two hexagon cap screws that come with the lock bracket. Please use the images below as a reference.



Step 3: Use a drill to drill a hole into the handle of the Cabinaid lid. It is best to drill from the back through the handle at the indicated location. See the image below for the location of the hole.



Step 4: Align the drilled hole in the handle with the lock bracket and close the Cabinaid AED cabinet. You are now able to attach a locking mechanism of choice to the Cabinaid.

## Installation of the optional divider plates

When you purchased the optional divider plates with your Cabinaid AED cabinet, please follow these instructions to install the divider plates.

Step 1: Open the Cabinaid by pulling the handle and remove the lid from the storage compartment.

Step 2: Carefully loosen the LED clips and hexagon cap screws with the LED lighting hose to be able to install the divider plates.

Step 3: Take the divider plates and place them at the indicated locations using 2 hexagon cap screws and LED clips per plate to fasten the plates. The total of 4 screws and 4 washers come with the 3 divider plates. Please use the can use the image below as a reference. Please note that this is a reference without LED lighting.





**Cabinaid** is a brand of **AED Cup bv**  
Celsiusstraat 15 • 6003 DG Weert • The Netherlands  
T. +31 (0)495 760156 • [info@cabinaid.com](mailto:info@cabinaid.com) • [www.cabinaid.com](http://www.cabinaid.com)